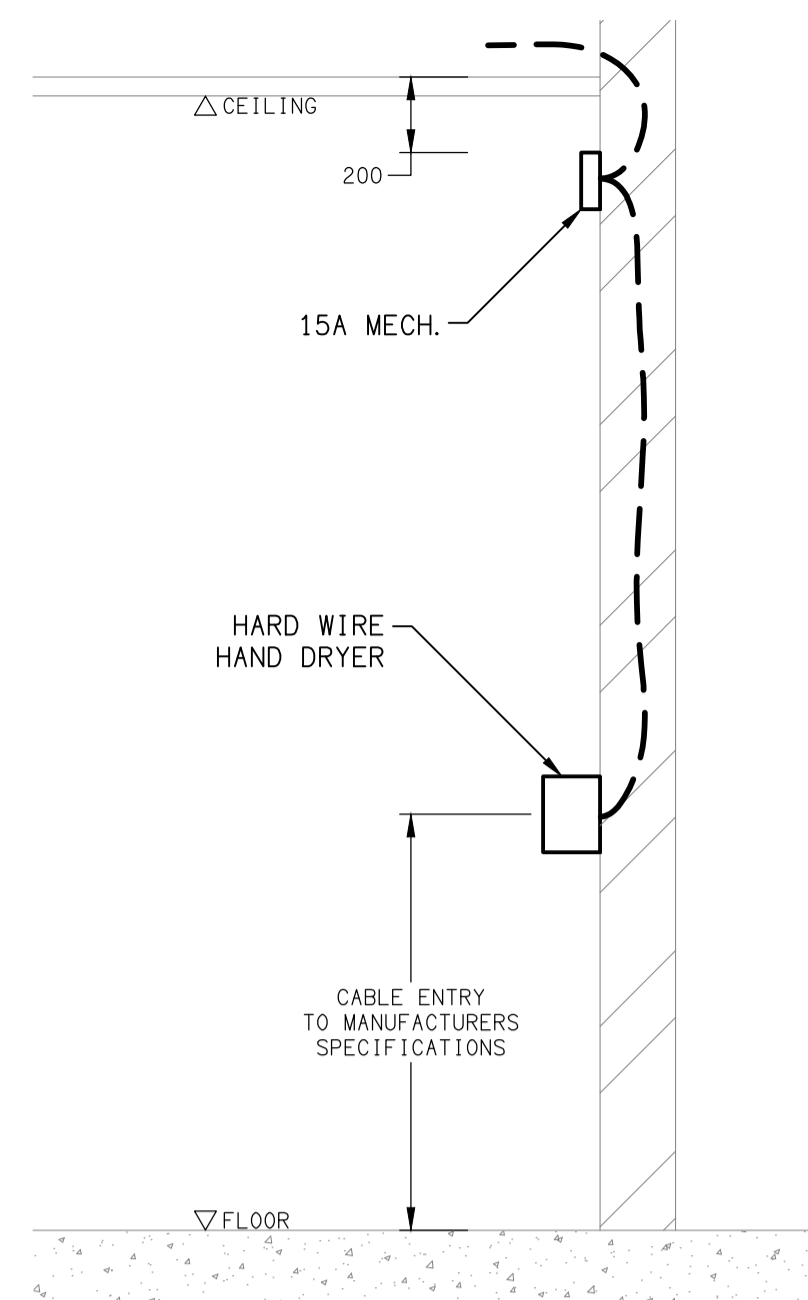


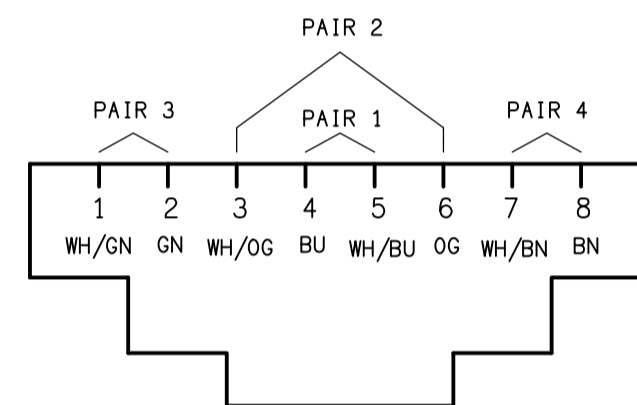
**DETAIL**  
TYPICAL OUTLET MOUNTINGS  
NOT TO SCALE



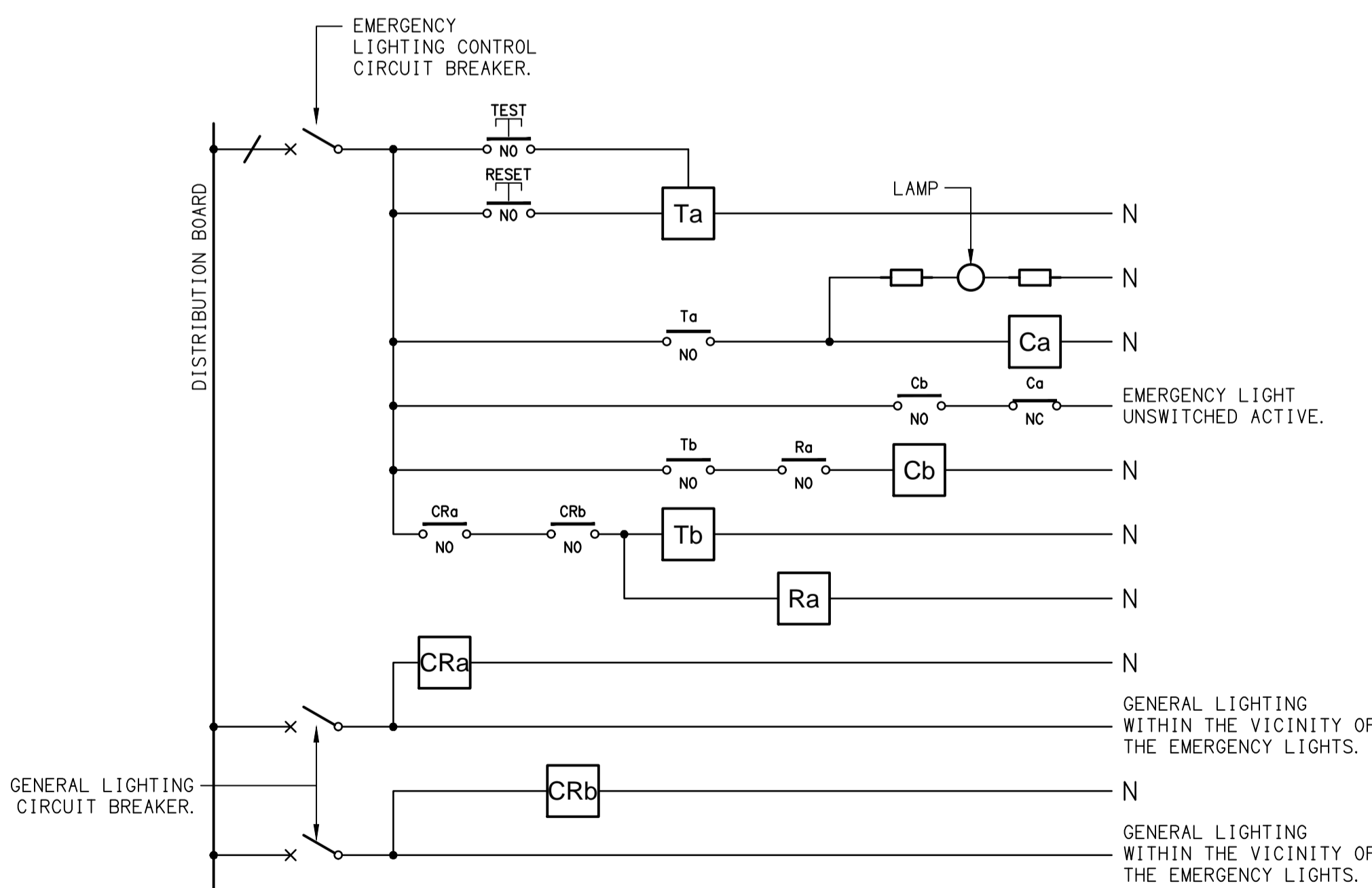
**DETAIL**  
HAND DRYER CONNECTION  
NOT TO SCALE

**EQUIPMENT:**

- TEST - TEST PUSH BUTTON MOUNTED ON THE DISTRIBUTION BOARD ESCUTCHEON.
- RESET - RESET PUSH BUTTON MOUNTED ON THE DISTRIBUTION BOARD ESCUTCHEON.
- LAMP - AMBER TEST INDICATING LAMP MOUNTED ON THE DISTRIBUTION BOARD ESCUTCHEON.
- Ta - ADJUSTABLE 0-3 HOUR TIMED RELAY.
- Tb - 15 MINUTE RUN-ON TIMER TO OPERATE UPON THE RETURN OF MAINS POWER.
- Cx - CONTACTOR x.
- CRx - CONTROL RELAY x.
- Rx - RELAY x.



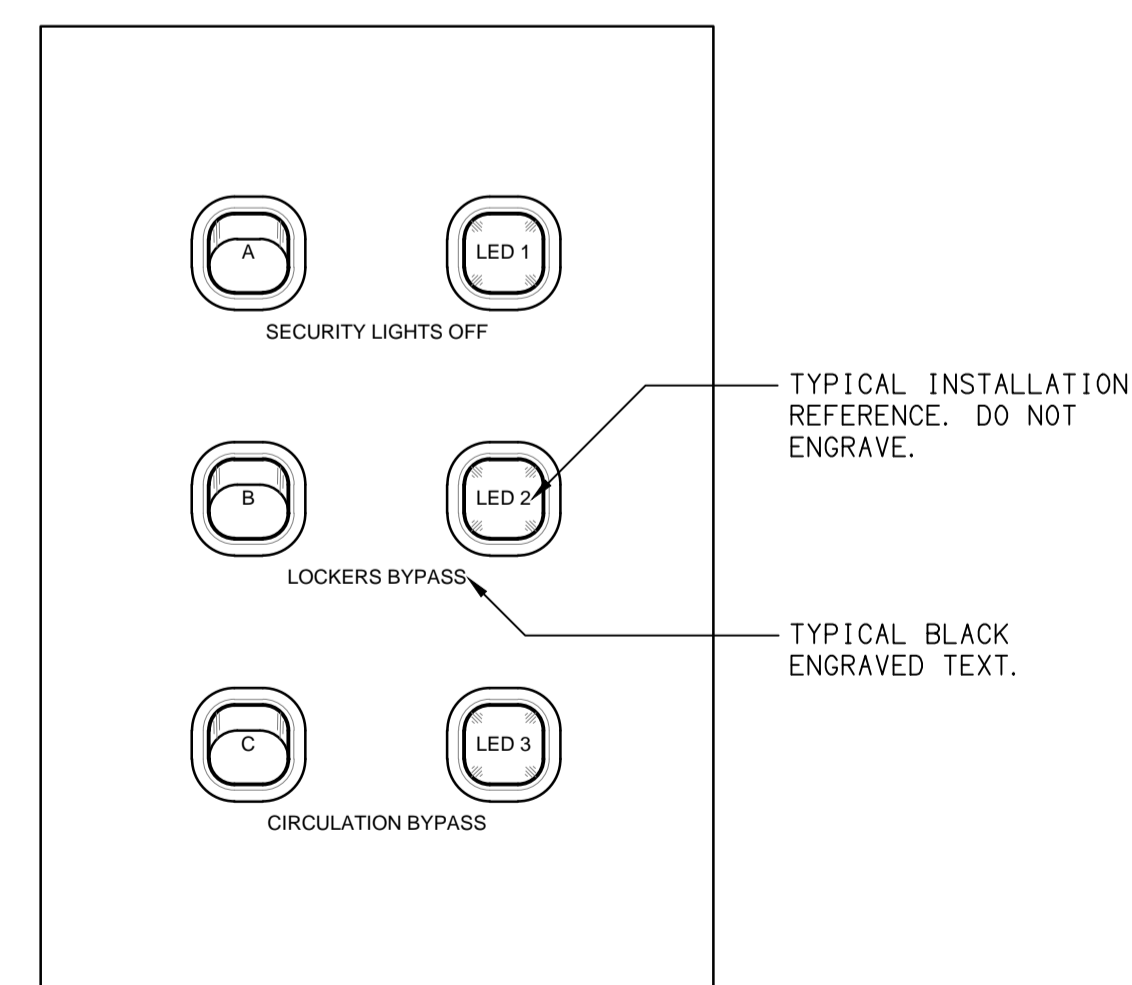
**SCHEMATIC**  
RJ45 PINOUT CONFIGURATION  
NOT TO SCALE



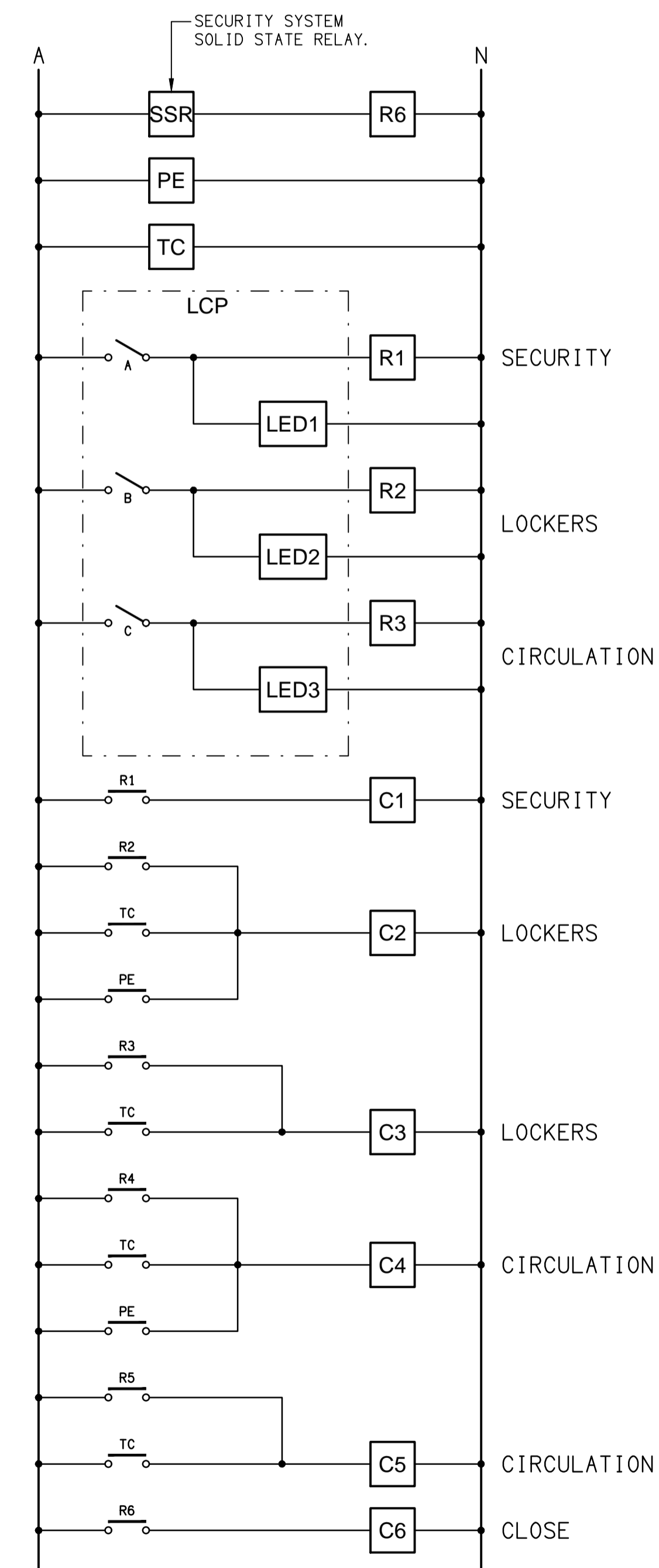
**NOTES**

1. THE EMERGENCY LIGHT UNSWITCHED ACTIVE / GENERAL LIGHTING SWITCHED ACTIVE CIRCUIT ARRANGEMENT AND CONTROL IS TYPICAL FOR ALL CIRCUITS SUPPLYING EMERGENCY LIGHTS.
2. PROVIDE ADDITIONAL CONTROL RELAYS (CRx) CONFIGURED AS PER CRa AND CRb FOR ALL ADDITIONAL LIGHTING CIRCUITS THAT SUPPLY LIGHTS IN THE VICINITY OF THE EMERGENCY LIGHTS.

**SCHEMATIC**  
EMERGENCY LIGHTING  
NOT TO SCALE



**DETAIL**  
LIGHTING CONTROL PANEL (LCP) ELEVATION  
NOT TO SCALE



**SCHEMATIC**  
LIGHTING CONTROL PANEL (LCP) CONTROL  
NOT TO SCALE

ELECTRICAL DESIGN GROUP BRISBANE  
PTY LTD  
ACN 092 710 793  
TRADING AS:  
ELECTRICAL DESIGN GROUP

THE COPYRIGHT OF THIS DRAWING  
REMAINS THE PROPERTY OF THE  
ELECTRICAL DESIGN GROUP.  
USE FIGURED DIMENSIONS  
IN PREFERENCE TO SCALE.  
ALL DIMENSIONS TO BE  
VERIFIED ONSITE.

**ELECTRICAL DESIGN GROUP**  
ELECTRICAL BUILDING SERVICES CONSULTANTS  
BRISBANE GOLD COAST

P.O. Box 15, Sherwood Q.4075  
Phone: (07) 3278 4375  
Email: brisbane@edg.net.au  
Web: www.edg.net.au

PROJECT:  
**ORMISTON COLLEGE  
BUSINESS & ARTS PRECINCT**

97 DUNDAS STREET WEST, ORMISTON

C	CONSTRUCTION	16/06/2026
REV.	DESCRIPTION:	DATE:

DRAWING:  
**ELECTRICAL SERVICES  
SCHEMATICS & DETAILS**

SCALE: NOT TO SCALE AT A1	PROJECT NO: <b>C3666a</b>	DRAWING NO: <b>E03</b>	REVISION: <b>C</b>
------------------------------	------------------------------	---------------------------	-----------------------